



## GKSPEED-Grounding Kit

for CELLFLEX® Coaxial Cables  
& HYBRIFLEX™ hybrid feeder cables

## Installation Instruction

2800080-B  
for CELLFLEX® cables LCF/UCF 1/4" to 15/8"  
& for HYBRIFLEX™ cables

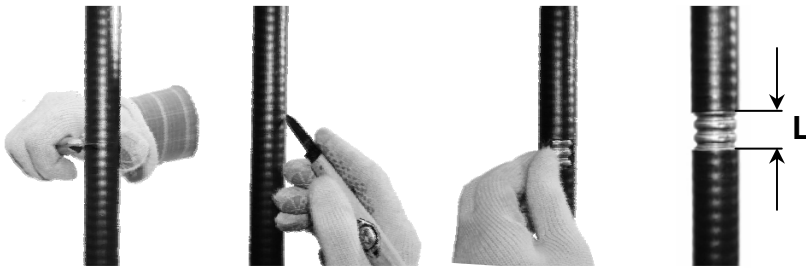
These instructions are written for qualified and experienced personnel. Please study them carefully before starting any work. Any liability or responsibility for the results of improper or unsafe installation practices is disclaimed. Please respect valid environmental regulations for assembly and waste disposal. Always make sure to use appropriate personal protection!

### The kit contains:

- 1 x Grounding kit body incl. contact braid & covered butyl-sealing rings.
- 2 x Screws M6 DIN 912 with 2 x Spring Washers
- 1 x Grounding wire with fixed lugs, or with one factory fixed and one loose lug and heat shrink sleeve

### Attention!

Install grounding kit only where the cable runs straight.

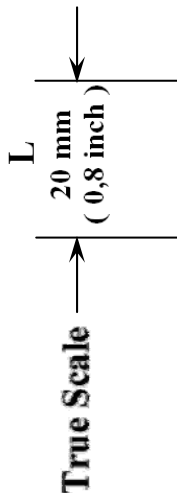
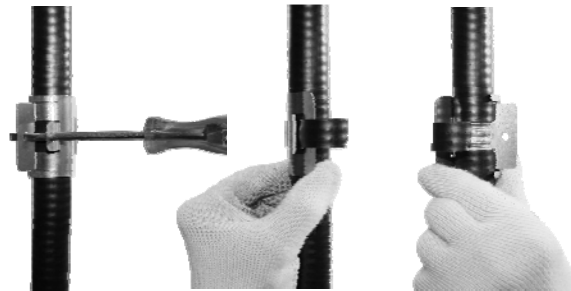


Clean the jacket at the desired grounding point and cut out a strip of 20mm (0.8 in) with knife or with aid of stripping tool (do not damage the outer conductor!)

Alternative- recommended dismantling method:

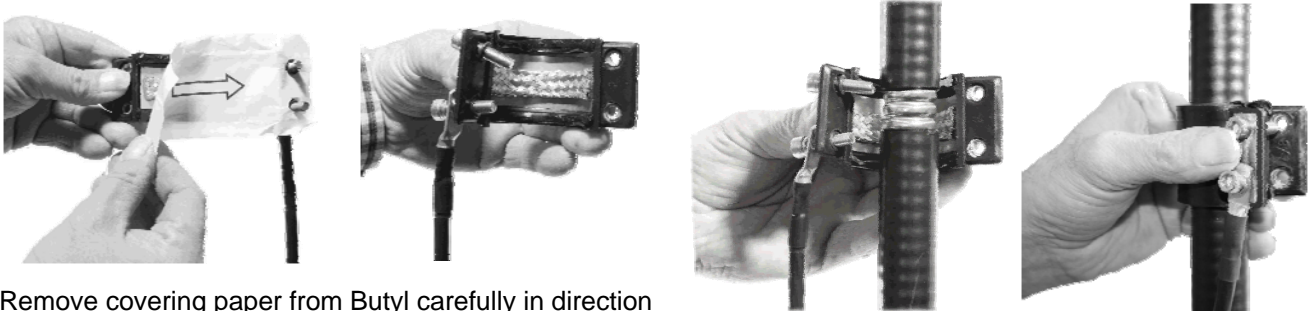
Simple and safe dismantling with:

- 1/2" - JSTRIP-12-3
- 7/8" - JSTRIP-78-2
- 1 1/4" - JSTRIP-114-2
- 1 5/8" - JSTRIP-158-2

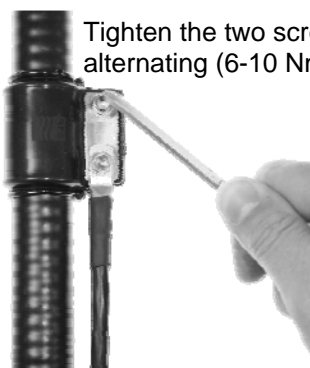


or with dismantling tools:

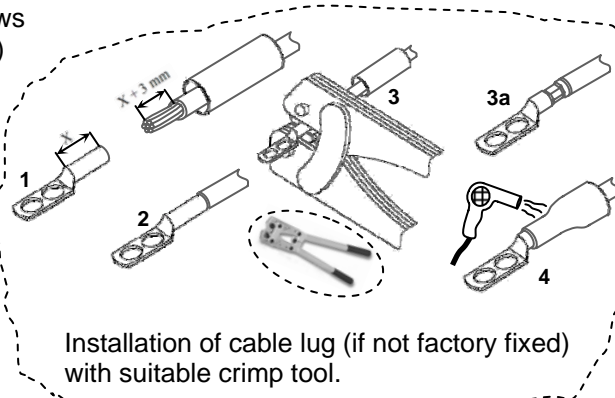
JSTRIP-12, JSTRIP-78, JSTRIP-114, JSTRIP158 according to the valid instruction



Remove covering paper from Butyl carefully in direction of the arrow and pre-bend the grounding body. Align the grounding kit body to the slot (grounding wire on the bottom side) and wrap it around the cable. Make sure wire mesh keeps in place in the body and is placed in the dismantled area. Do not turn or move the body after wrapping around the cable, otherwise butyl sealing could be damaged.



Tighten the two screws alternating (6-10 Nm)



Installation of cable lug (if not factory fixed) with suitable crimp tool.



Straighten the grounding wire in the direction to the grounding point (shortest way possible). The fixation of the wire is recommended. Note the standard & local rules.